



Cableprint CP 1MiH

Special offset machine

The cableprinter CP 1MiH is a special single head-printing machine working by traction with motorised assistance, and using the indirect gravure method. This machine is particularly adapted to the printing on the top side of big cables, rigid pipes and tubes, and also for the printing of uneven surfaces. The CP 1MiH fully complies with CE norms.

Standard version

- 1 printing head for flat wheel Ø 200 mm
- 1 shaft for mounting hole Ø 16 mm
- 1 scraper holder with steel scraper blade 20 mm
- 1 transfer rubber disk Ø 200 x 14,3 mm, 60° shore
- 1 simple ink tray
- 1 tool set

Accessories

Solid stand for height adjustment from 900 to 1.200 mm

Technical Data

Printing area from Ø 8,0 mm
 Printing speed up to 60 m/min
 Power supply : 400 V, 50 Hz, 3-phase + neutral + earth
 Dimensions : 540 mm x 400 mm x 430 mm
 Machine weight : about 30 kg

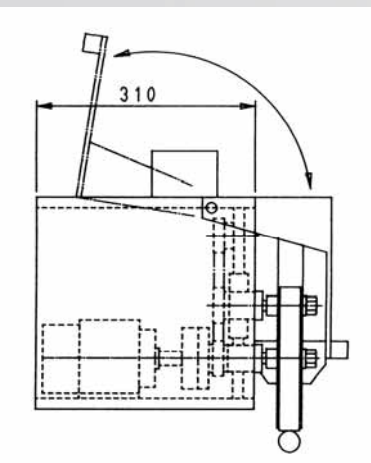
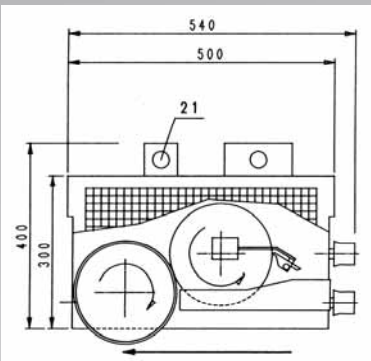
Location

Different locations are possible, but subject to testing. The temperature of the printed material must not exceed 80°C. Precondition for quality printing is a clean and dry cable surface.

One-stop shopping

From printing wheels and machines, corona treatment, viscosity control systems, inks, special solvents and special cleaners to custom-built machines – **RSD Technik** offers solutions to meet all your needs.

We reserve the right for technical improvements



RSD TECHNIK GmbH

Walter Wetzel Strasse 2 • D-79588 Efringen-Kirchen

Phone +49 7628 802 0 • Fax +49 7628 802 80

e-mail: sales@rsdtechnik.de

Internet: www.rsdtechnik.de