

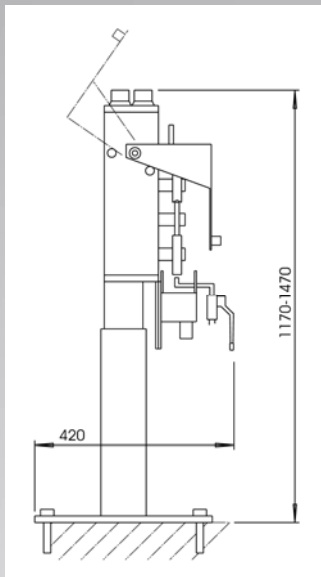
Cableprint CP 1Zi

Universal offset machine

The cableprinter CP 1Zi is a printing machine working by traction and using the indirect gravure method. This machine is particularly adapted to the printing of cables, hoses, tubes, tapes and profiles, also for printing of smooth and uneven surfaces. The CP 1Zi fully complies with CE norms.

Standard version

- 1 printing head for flat wheel Ø 80,0 mm
- 1 shaft for mounting hole Ø 16,0 mm
- 1 transfer rubber roller 6,3 mm
- 1 scraper bracket with scraper
- 1 counter roller
- 1 guiding system
- 1 ink tray
- 1 solid stand with adjustable height from 900 to 1200 mm
- 1 tool set



Technical Data

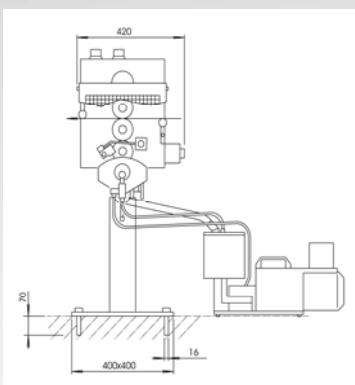
- Printing area from Ø 0,8 up to Ø 55,0 mm
- Printing speed results from traction
- Machine weight: about 50 kg
- Dimensions: width 400 mm, depth 400 mm

Location

The ideal location is between the first and the second cooling trough. Other locations are possible, but subjected to testing. The temperature of the printed material must not exceed 80°C. Precondition for quality printing is a clean and dry cable surface.

One-stop shopping

From printing wheels and machines, corona treatment, viscosity control systems, inks, special solvents and special cleaners to custom-built machines – **RSD Technik** offers solutions to meet all your needs.



We reserve the right for technical improvements

RSD TECHNIK GmbH

Walter Wetzel Strasse 2 • D-79588 Efringen-Kirchen
 Phone +49 7628 802 0 • Fax +49 7628 802 80
 e-mail: sales@rsdtechnik.de
 Internet: www.rsdtechnik.de